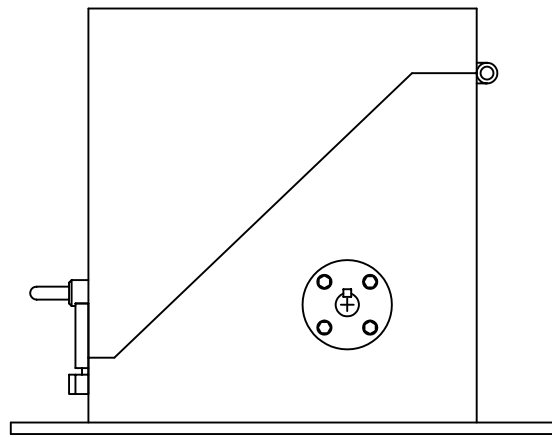
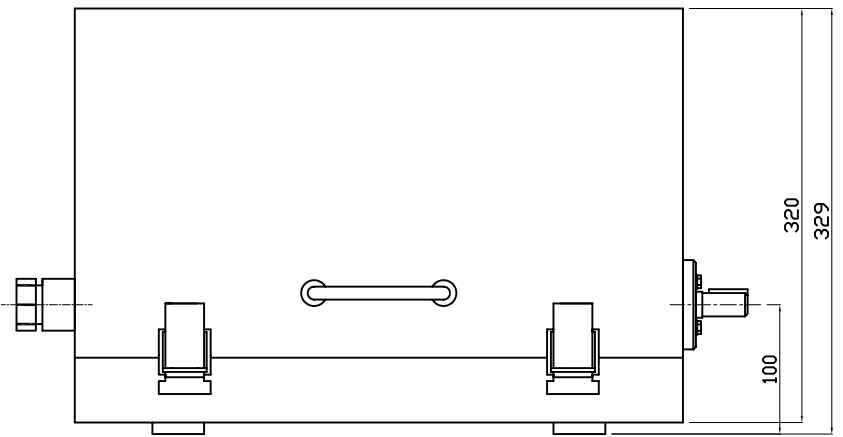


DETAIL OF INPUT SHAFT

1. QUANTITY :	SET		
2. PAINTING COLOR :	BLOCK		
3. ENCLOSURE :	WEATHER PROOF		
4. AMBIENT TEMPERATURE :	- 20° C ... + 60° C		
5. INPUT SHAFT CONDITION			
1) FULL STROCKER :	m		
2) REVOLUTION PER FULL STROCKER :	REV.		
3) ROTATIONAL DIRECTION OF INPUT SHAFT AT VIEW "A" SIDE :	AT GATE RISING		
6. SWITCH FOR ALARM AND CONTROL			
1) NUMBER OF SWITCHING FROM :	4POINT		
2) SWITCH TYPE :	MICRO SWITCH		
3) CONTACT RATING :	AC 250V 15A		
4) SWITCHING POINT :	H/A, H ,L ,L/A		
NO	FUNCTION	m	m
LS1			0 N
LS2	FULLY RAISED		0 N
LS3	FULLY LOWERED	0 N	
LS4		0 N	

NO	DESCRIPTION	MAT'L	Q'TY	REMARK
1	UPPER COVER	SS400 + PAINTED	1	
2	LOWER COVER	SS400 + PAINTED	1	
3	BASE PLATE	SS400 + PAINTED	1	
4	INPUT SHAFT	SUS 304	1	
5	LOCK	SUS 304	2	
6	HINGE	SUS 304	2	



▲					
▲					
▲					
▲					
NO	DATE	REVISIONS	REV'D BY	CHE'D BY	
WON-IL LEVEL CO., LTD.			SCALE N/S	UNIT mm	REV. △
TITLE LIMIT SWITCH BOX WTG-LBX		PROJECT :			
		DRAWING No.			
DESIGNED	CHECKED	APPROVED	DATE	SHEET NO.	
			2000. .	/	