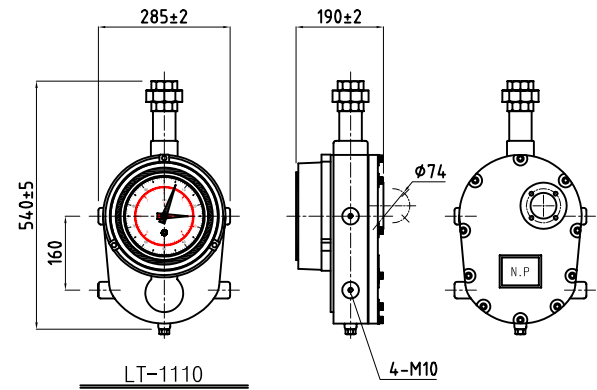
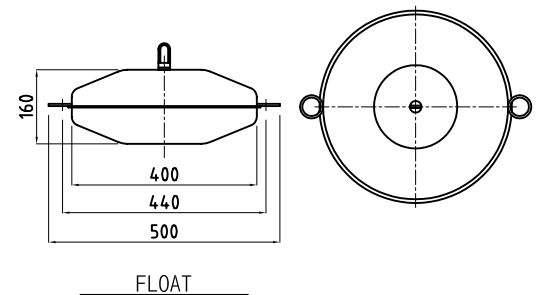
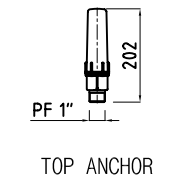
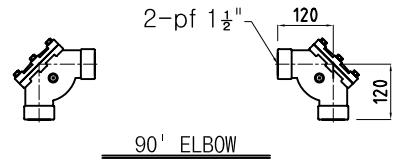
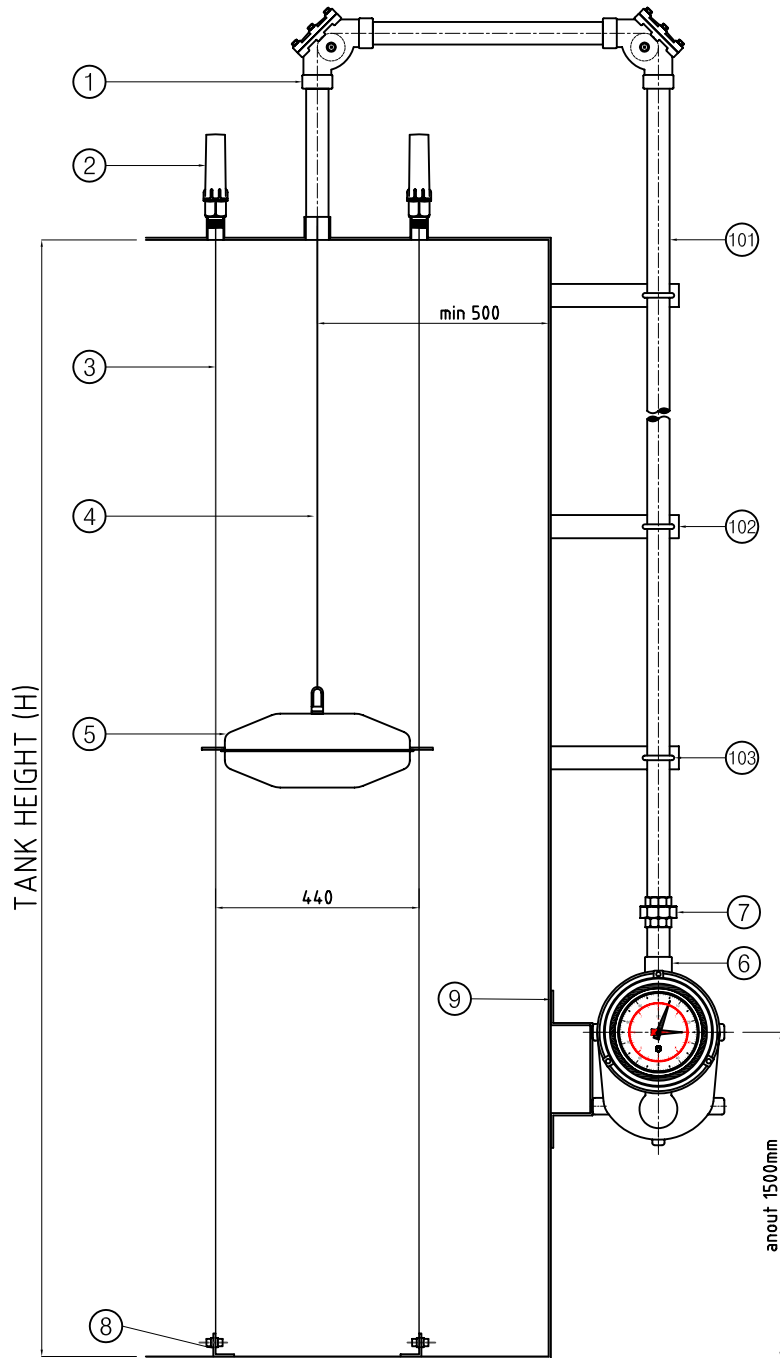


<<메저링 와이어 타입>>

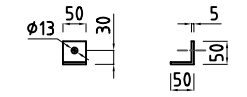


Items to be supply by WON-IL.

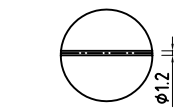
NO.	DESCRIPTION	MATERIAL	REMARK
1	ELBOW	AL.C	pf 1½" * 1½"
2	TOP ANCHOR	AL.C	pt 1"
3	GUIDE WIRE	SUS 304	Φ3
4	MEASURING WIRE	SUS 316	Φ1.2
5	FLOAT	SUS 304	Φ400*190
6	LEVEL GAUGE	AL.C	
7	UNION	CS	pf 1½"
8	BOTTOM ANCHOR	SUS 304	
9	GAUGE SUPPORT	CS	

Items to be prepared by user.

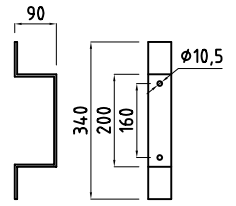
NO.	DESCRIPTION	MATERIAL	REMARK
101	GUIDE PIPE	CS	1½"
102	PIPE SUPPORT	CS	
103	U-BOLT	CS	1½"



BOTTOM ANCHOR



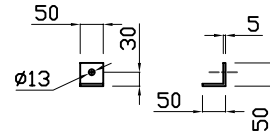
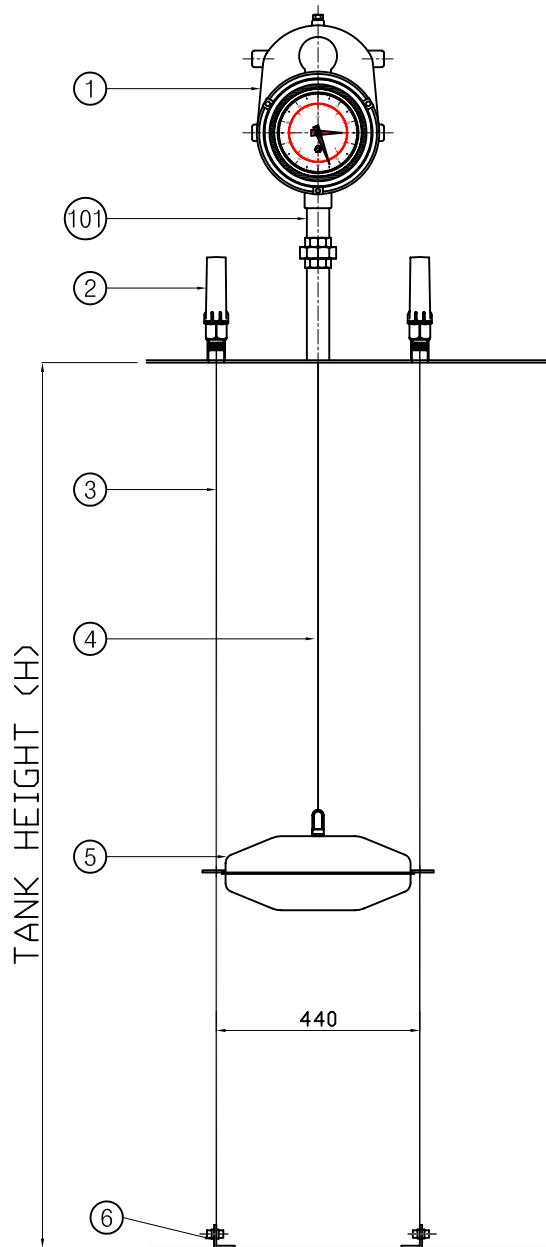
MEASURING WIRE



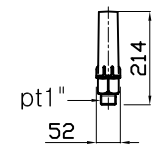
GAUGE SUPPORT

NO	DATE	REVISION	REV'D BY	CHK'D BY	WON-IL LEVEL CO., LTD.	SCALE	UNIT	REV.
△	..					TITLE TANK LEVEL GAUGE WLT-1110	N.S	mm
△	..				DESIGNED BY	PROJECT		
△	..				CHECKED BY	DRAWING NO.		
△	..				APPROVED BY	DATE		
△	..					SHEET NO.		

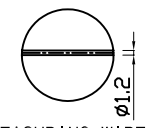
<<탑마운팅 타입>>



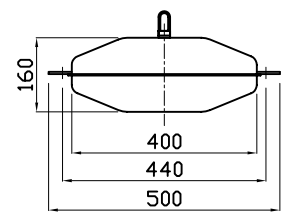
BOTTOM ANCHOR



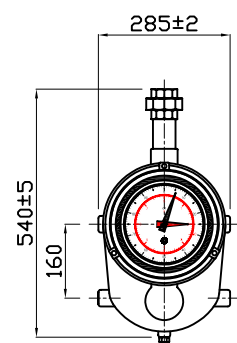
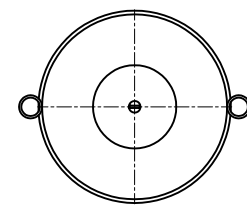
TOP ANCHOR



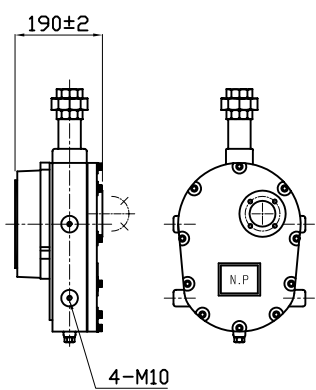
MEASURING WIRE



FLOAT



LT-1110



Items to be supply by WON-IL.

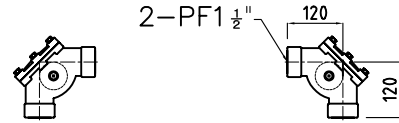
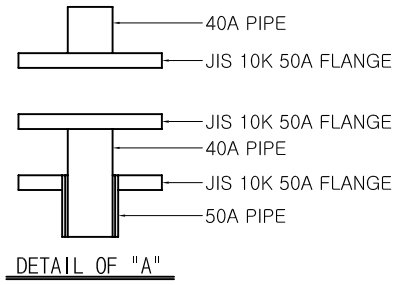
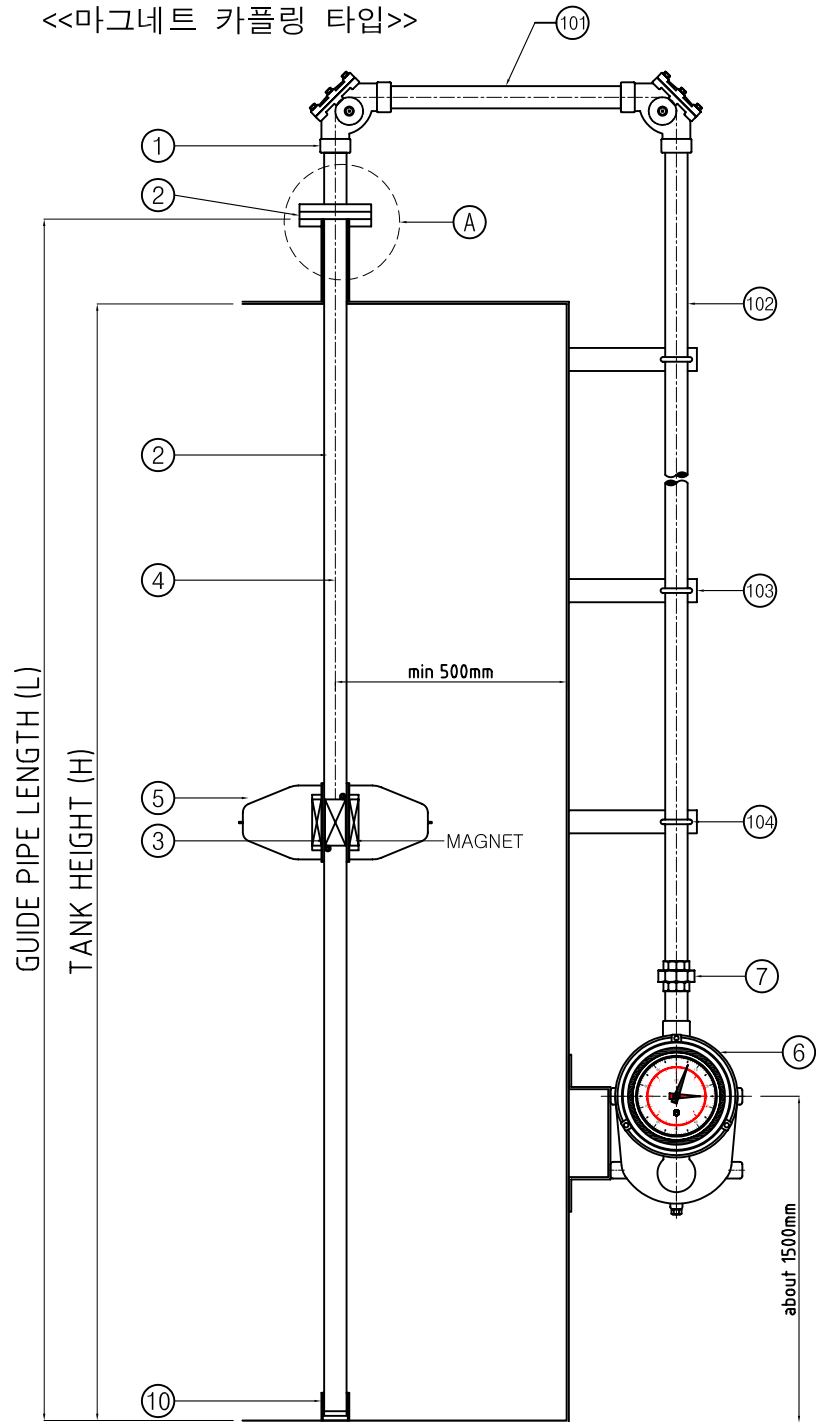
NO.	DESCRIPTION	MATERIAL	REMARK
1	LEVEL GAUGE	AL.C	
2	TOP ANCHOR	AL.C	pt 1"
3	GUIDE WIRE	SUS 304	Φ3
4	MEASURING WIRE	SUS 316	Φ1.2
5	FLOAT	SUS 304	Φ400*190
6	BOTTOM ANCHOR	SUS 304	

Items to be prepared by user.

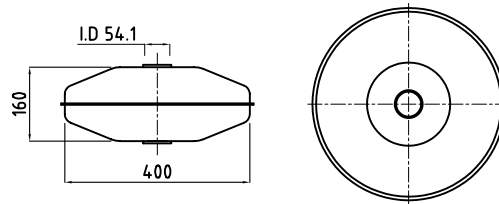
NO.	DESCRIPTION	MATERIAL	REMARK
101	GUIDE PIPE	CS	1 1/2"

NO	DATE	REVISION	REV'D BY	CHK'D BY	WON-IL LEVEL CO., LTD.	SCALE	UNIT	REV.
△	.	.				TITLE TANK LEVEL GAUGE WLT-1110	N.S	mm
△	.	.				PROJECT		
△	.	.				DRAWING NO.		
△	.	.			DESIGNED BY	CHECKED BY	APPROVED BY	DATE
△	.	.						SHEET NO.

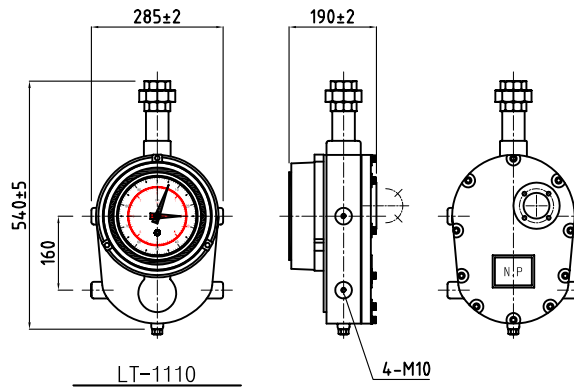
<<마그네트 카플링 타입>>



90° ELBOW



FLOAT



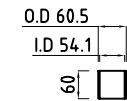
LT-1110

Items to be supply by WON-IL.

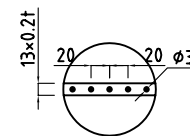
NO.	DESCRIPTION	MATERIAL	REMARK
1	ELBOW	AL.C	pf 1½" * 1½"
2	GUIDE PIPE	SUS 304	
3	MAGNET		
4	MEASURING TAPE	SUS 316	
5	FLOAT	SUS 304	Φ 400*160
6	LEVEL GAUGE	AL.C	
7	UNION	CS	pf 1½"
8	FLANGE	SUS 304	JIS 10K 50A
9	GAUGE SUPPORT	CS	
10	BOTTOM ANCHOR	SUS 304	

Items to be prepared by user.

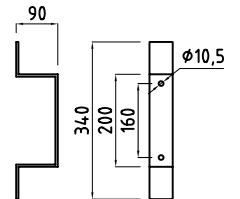
NO.	DESCRIPTION	MATERIAL	REMARK
101	GUIDE PIPE	CS	1½"
102	GUIDE PIPE	CS	1½"
103	PIPE SUPPORT	CS	
104	U-BOLT	CS	1½"



BOTTOM ANCHOR



MEASURING TAPE



GAUGE SUPPORT

NO	DATE	REVISION	REV'D BY	CHK'D BY	WON-IL LEVEL CO., LTD.	SCALE	UNIT	REV.	
△	..					N.S	mm	△	
△	..					TITLE	PROJECT		
△	..					DRAWING NO.			
△	..				DESIGNED BY	CHECKED BY	APPROVED BY	DATE	SHEET NO.
△	..				MAGNETIC COUPLING TANK LEVEL GAUGE				

<<타겟 타입>>

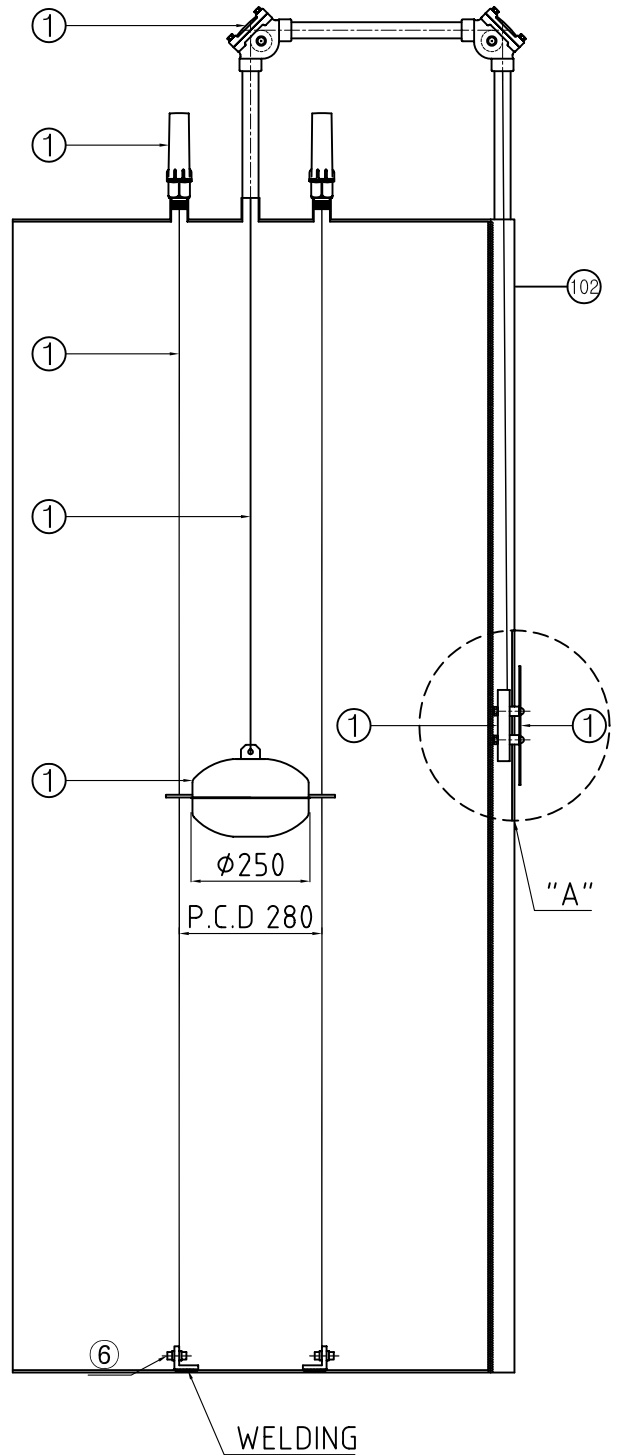
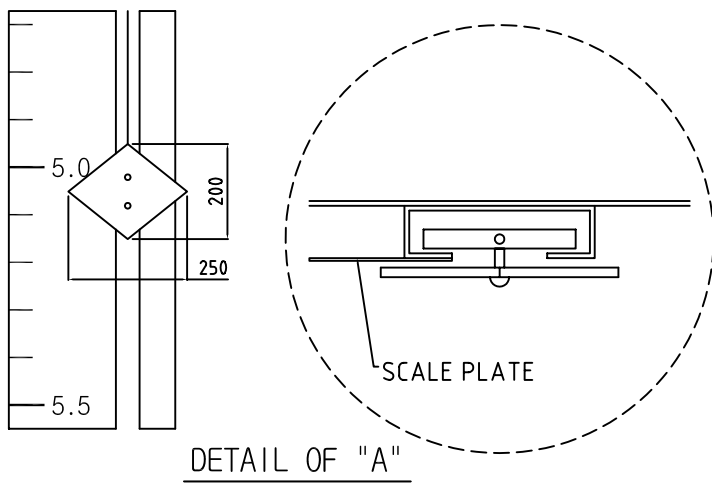
FOR	TANK LEVEL TARGET
MOUNTING	SIDE
PROTECTION	<input type="checkbox"/> Weather Proof (IP65)
	<input type="checkbox"/> Explosion Proof (Ex d IIc T4)
FLUID NAME	
MAX. PRES	Kg/cm ²
MAX. TEMP	℃
QUANTITY	SET

Items to be supply by WON-IL.

NO.	DESCRIPTION	MATERIAL	REMARK
1	ELBOW	AL.C	1"*1"
2	TOP ANCHOR	AL.C	1"
3	GUIDE WIRE	SUS 304	Φ 2.4
4	ROLLER	P.P	
5	BOTTOM ANCHOR	SUS 304	
6	FLOAT	SUS 304	Φ 250
7	WIRE ROPE	SUS 304	Φ 1.2
8	WEIGHT	SUS 304	
9	TARGET	SUS 304	

Items to be prepared by user.

NO.	DESCRIPTION	MATERIAL	REMARK
101	GUIDE PIPE	SUS 304	1"
102	GUIDE ANGLE	SUS 304	50*50*5t



NO.	DATE	REVISION	REV'D BY	CHK'D BY	WONIL LEVEL CO., LTD. TITLE TARGET TYPE LEVEL GAUGE	SCALE	UNIT mm	REV.
	. .					PROJECT		
	. .				DRAWING NO.			
	. .				DESIGNED BY	DATE		SHEET NO.
	. .				CHECKED BY			
	. .				APPROVED BY			

