

본 제품은 고성능 MICRO PROCESSOR와 고정밀 A/D CONVERTER를 탑재한 정밀급 계측기로서 접점형태를 변환할 수 있어서 ALARM SETTER, LEVEL CONTROL용으로 사용할 수 있으며 여러가지 측정량을 전송하는 2선식 또는 3선식의 현장전송기의 신호 제어용으로 사용 가능하도록 DC 24V 전원이 내장되어 있습니다.

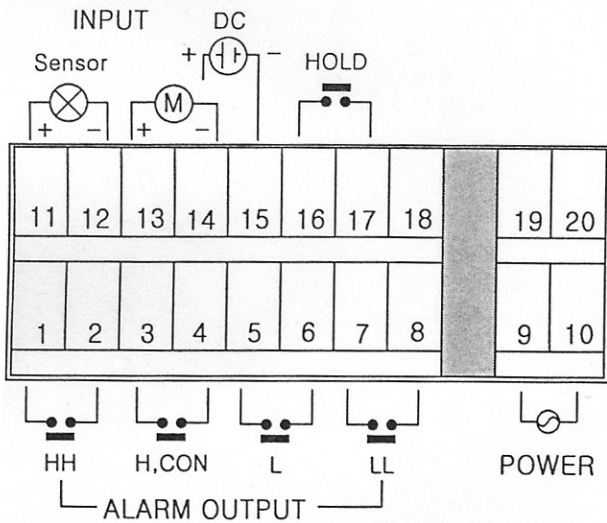
◆ SPECIFICATION

- Construction : Panel mount type
- Dimension : 96(W) X 48(H) X 112(D)mm
- Housing : ABS Plastic
- Display : 0.56 inch 7-Segment 4-digit
- Display range : 0 ~ 9999
- Operating temperature : -5 ~ 55℃
- Operating humidity : 90% RH max(non-condensing)
- 7-Point alarm parameter setting
 - PS-0 : None alarm
 - PS-1 : L,START,STOP,H (Use supply control)
 - PS-2 : L,START,STOP,H (Use drain control)
 - PS-3 : LL,L,H,HH (Use alarm)
 - PS-4 : LL→L→H→HH (ON When input over setting value)
 - PS-5 : LL→L→H→HH (OFF When input over setting value)
 - PS-6 : LL,L,H,HH (Step by step)
- Scale free set range : 0 ~ 9999
- Output : Relay contact (5A / 250VAC max)
- Accuracy : ±0.15% of full scale
- Linearity : ±0.1% of full scale
- Power : AC 110/220V 50~60Hz approx 6VA max
- Dielectric strength : 2000VAC @ 1 Minute (INPUT to OUTPUT to POWER)

Self test messege

Messege	Abillity	Cause
OVER	Scale over	Input over
-0 ~ -999 (- Display)	LOW scale less	Input less then 0%
HH - H	Alarm set	Set value H>HH
H - L	"	Set value L>H
HH - L	"	Set value L>HH
HH - LL	"	Set value LL>HH
H - LL	"	Set value LL>H
L - LL	"	Set value LL>L

◆ CONNECTION DIAGRAM



◆ METER 사용시

● 2 WIRE CONNECTION

- 11:Sensor +
- 12:Sensor -
- 13:Meter +
- 14:Meter -

● 3 Wire connection

- 11:DC24V +
- 12:4-20mA +
- 13:Meter +
- 14:Meter -
- 15:4-20mA -

● 4-20mA Connection

- 12:4-20mA +
- 13:Meter +
- 14:Meter -
- 15:4-20mA -

◆ METER 미 사용시

● 2 WIRE CONNECTION

- 11:Sensor +
- 14:Sensor -

● 3 Wire connection

- 11:DC24V +
- 14:4-20mA +
- 15:4-20mA -

● 4-20mA Connection

- 14:4-20mA +
- 15:4-20mA -

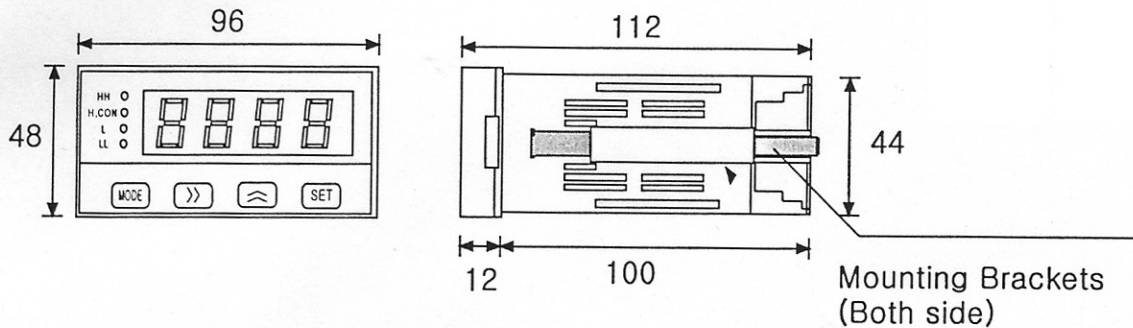
● RTD Sensor connection

- 13:A
- 14:B
- 15:b

● Potentiometer connection

- 13:VR-H
- 14:VR-C
- 15:VR-L

◆ DIMENSION



◆ PANEL CUTOUT

