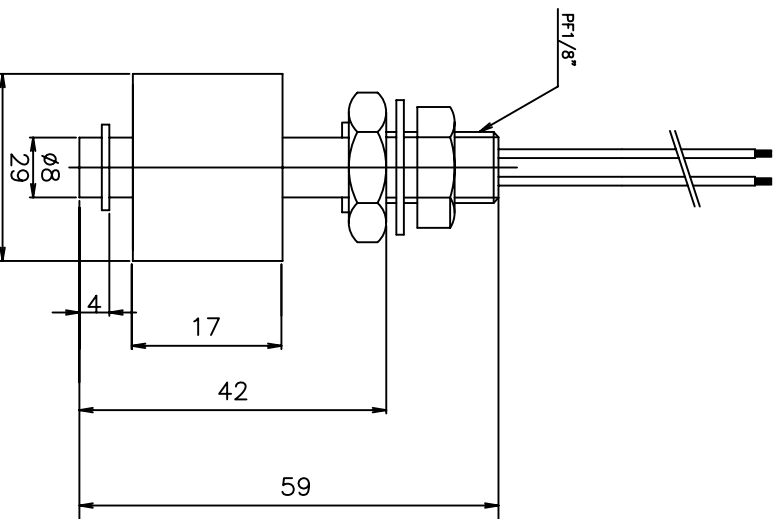


SPECIFICATION	
MODEL NAME	WOLV-2P-1F
PRESSURE	MAX0.5Kgf/cm ²
TEMPERATURE	MAX.90°C
APPLICATIONS	WATER
SWITCHING CURRENT	AC220V, 1A
MOUNTING METHOD	TOP & BOTTOM
MOUNTING SIZE	PF1/8"
REMARKS: PP TYPE	



NO.	DATE	REVISION	REV'D BY	CHK'D BY
△1	. . .			
△2	. . .			
△3	. . .			
△4	. . .			
△5	. . .			

DESIGNED BY HWANG, E. Y		CHECKED BY SONG, M. S		APPROVED BY SONG, W. S		DATE 2008,		SHEET NO. /	
TITLE FLOAT TYPE LEVEL SWITCH (WOLV-2P-1F)				PROJECT		SCALE		UNIT mm	
				DRAWING NO.				REV. △	