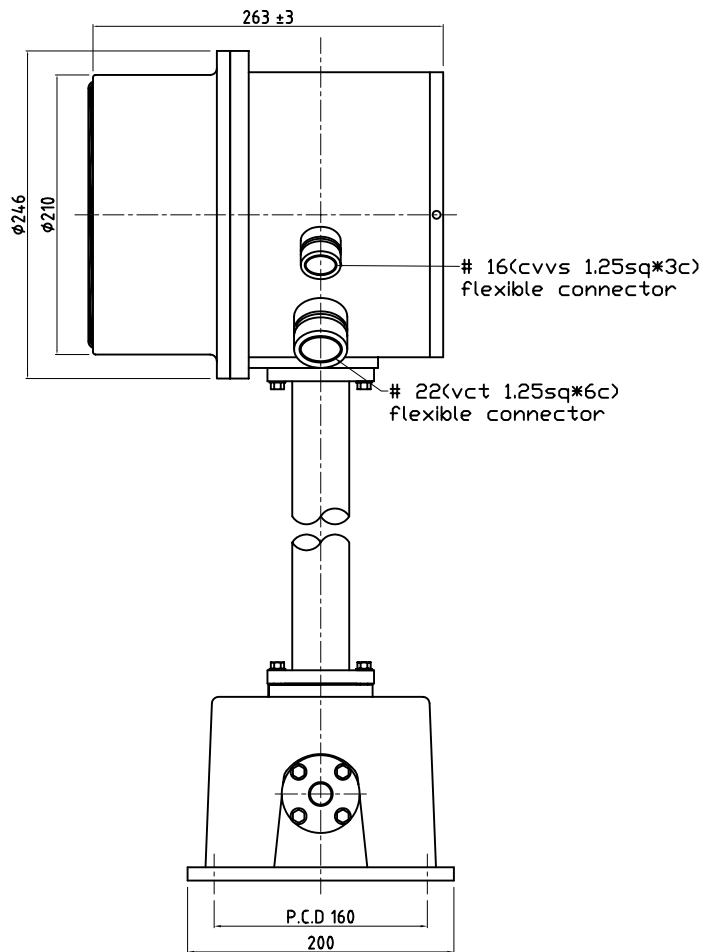
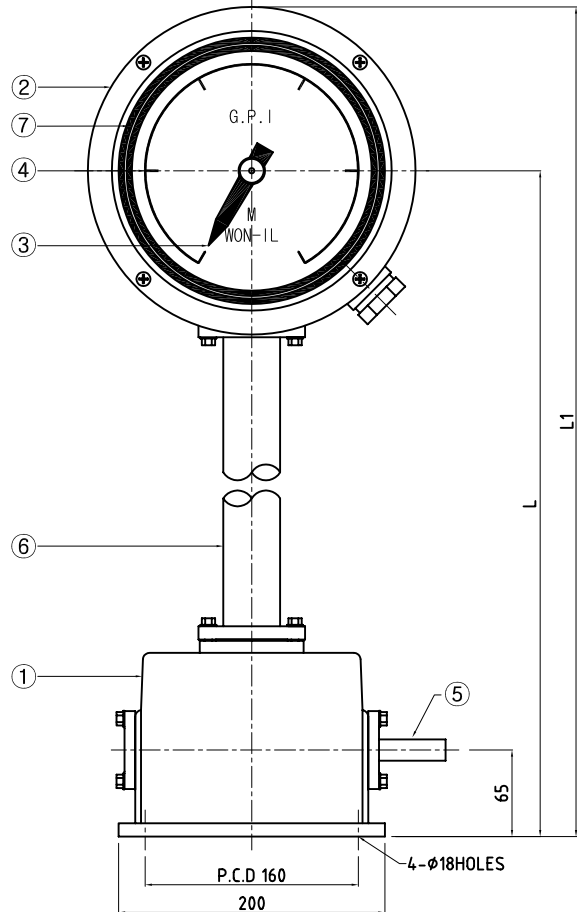
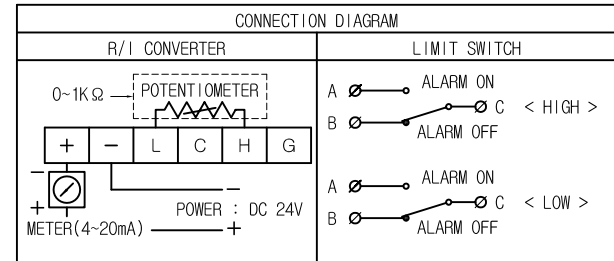


DETAIL OF INPUT SHAFT

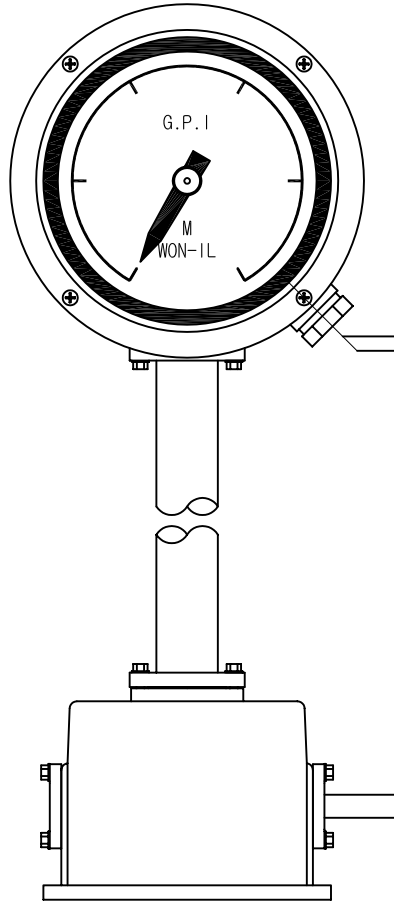


1. QUANTITY : SET
2. PAINTING COLOR : BLOCK
3. ENCLOSURE : WEATHER PROOF
4. AMBIENT TEMPERATURE : - 20° C ... + 60° C
5. INPUT SHAFT CONDITION
 - 1) FULL STROCKER : m
 - 2) REVOLUTION PER FULL STROCKET : REV.
 - 3) ROTATIONAL DIRECTION OF INPUT SHAFT AT VIEW "A" SIDE : () AT GATE RISING
6. TRANSMITTING SIGNAL FOR REMOTE CONTROL
 - 1) TRANSMITTING SIGNAL : DC 4-20mA
 - 2) TRANSMITTING METHOD : R/I CONVERTER
7. SWITCH FOR ALARM AND CONTROL
 - 1) NUMBER OF SWITCHING FORM : 2-SPDT
 - 2) SWITCH TYPE : MICRO SWITCH
 - 3) CONTACT RATING : AC 250V 15A
 - 4) SWITCHING POINT :
8. POWER SOURCE : AC 100/110V 50/60Hz DC 24V

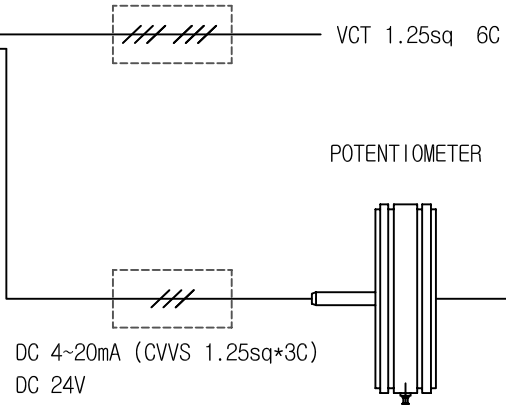
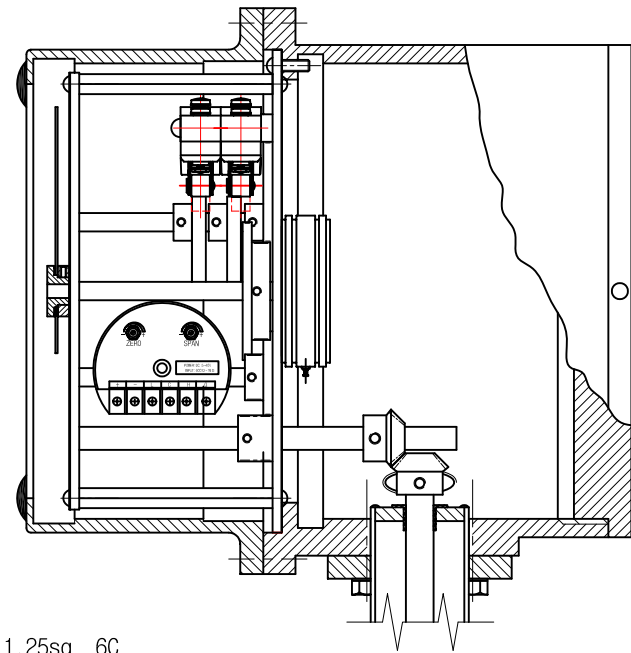
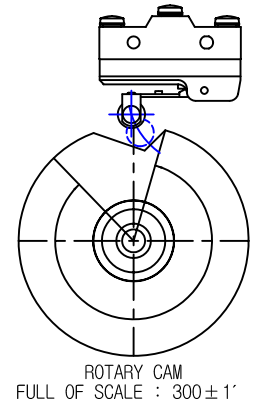
No.	DESCRIPTION	MATERIAL	REMARK
1	BASE	AL 2B	
2	HEAD	AL 2B	
3	POINTER	SS 400 + PAINTTED	
4	SCALE PLATE	SUS 304	
5	INPUT SHAFT	SUS 304	∅16
6	POST PIPE	SUS 304	∅42.7
7	PACKING	RUBBER	



⚠				
⚠				
⚠				
⚠				
NO	DATE	REVISIONS	REV'D BY	CHE'D BY
WON-IL LEVEL CO., LTD.			SCALE N/S	UNIT mm
TITLE		GATE POSITION INDICATOR WTG-100S (小型)		PROJECT :
				DRAWING No.
DESIGNED	CHECKED	APPROVED	DATE	SHEET NO.
			2000. .	/

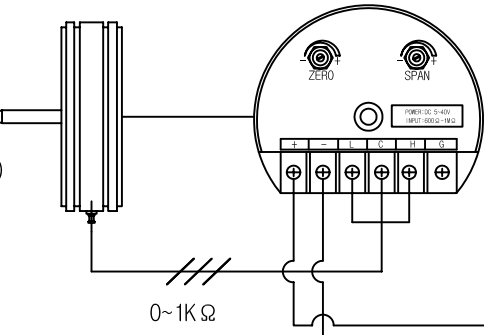


현장 지시계



POTENTIOMETER

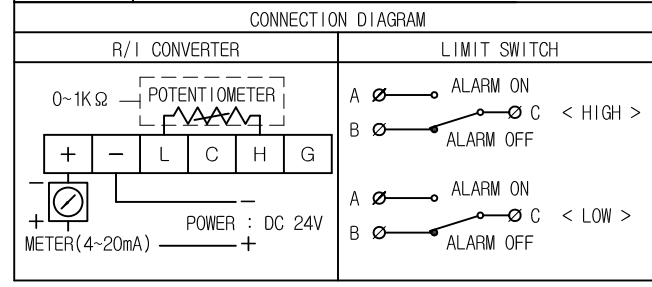
R/I CONVERTER



0~1KΩ

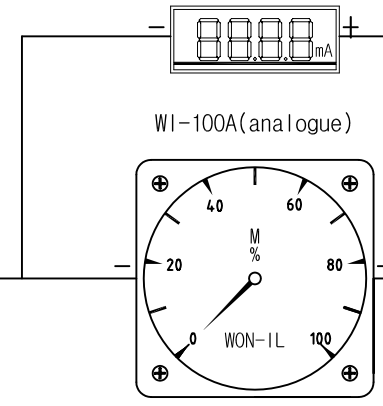
눈금판 scale 및 range 주문사양

RANGE	M ,
POWER	DC 24V
OUTPUT	DC 4~20mA

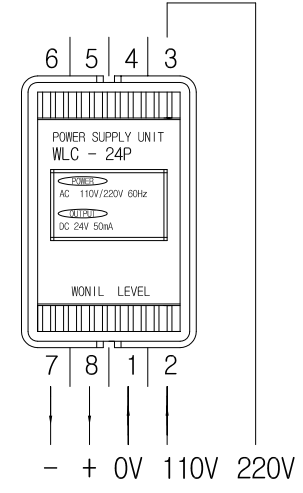


WI-100D(digital)

WI-100A(analogue)

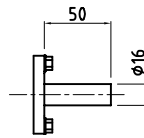
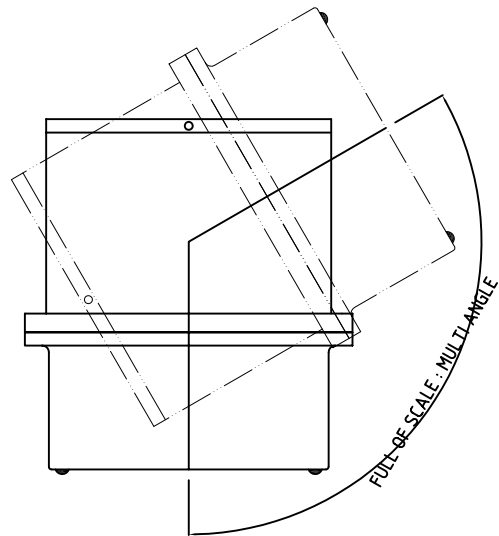


POWER SUPPLY

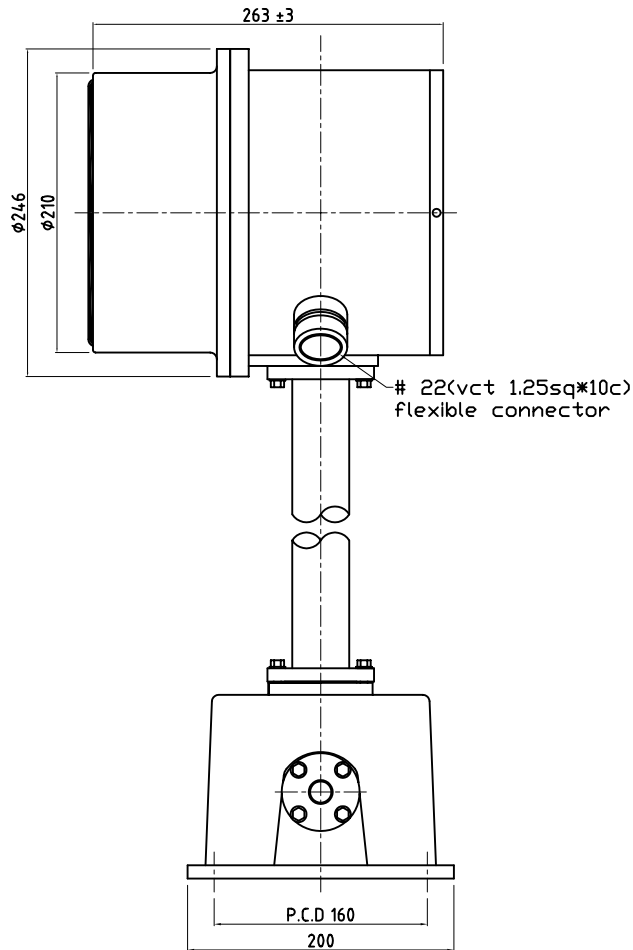
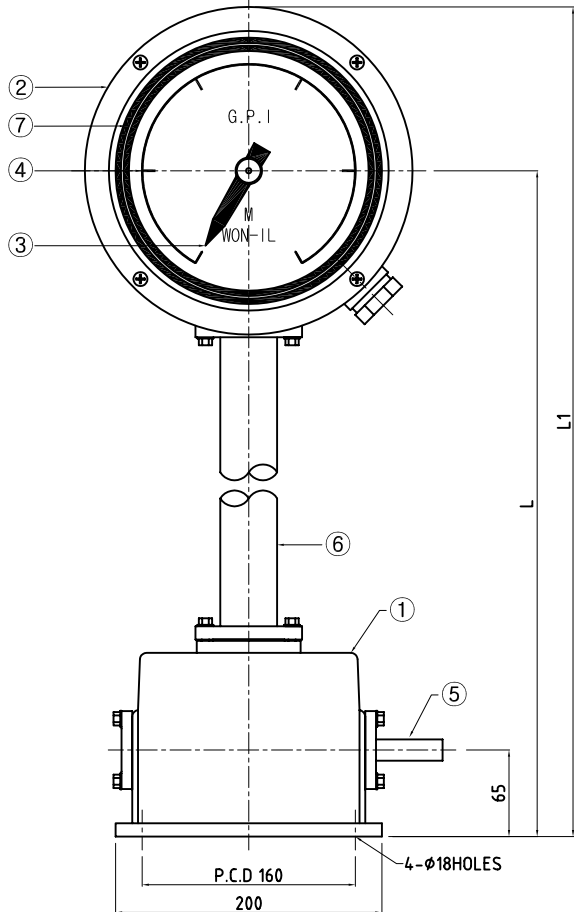


NO	DATE	REVISION	REV'D BY	CHK'D BY	SCALE	UNIT	REV.
△	..				N.S	mm	△
△	..				TITLE GATE POSITION INDICATOR BLOCK DIAGRAM		
△	..				PROJECT		
△	..				DRAWING NO.		
△	..				DESIGNED BY	CHECKED BY	APPROVED BY
△	..				DATE	SHEET NO.	

WON-IL LEVEL CO., LTD.

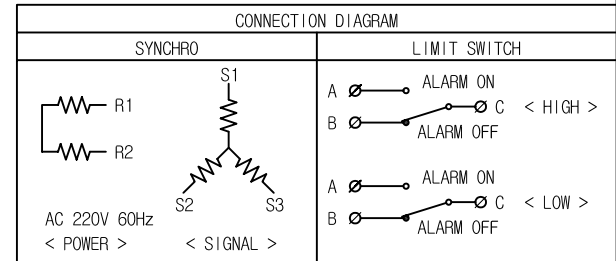


DETAIL OF INPUT SHAFT

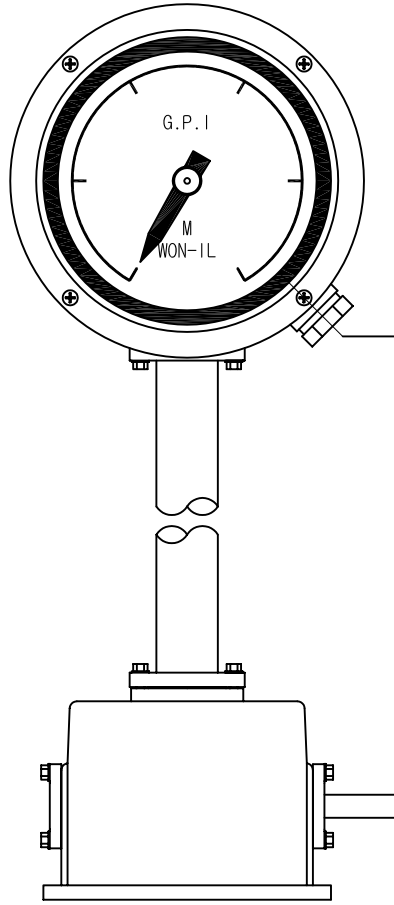


1. QUANTITY : SET
2. PAINTING COLOR : BLOCK
3. ENCLOSURE : WEATHER PROOF
4. AMBIENT TEMPERATURE : - 20° C ... + 60° C
5. INPUT SHAFT CONDITION
 - 1) FULL STROCKET : m
 - 2) REVOLUTION PER FULL STROCKET : REV.
 - 3) ROTATIONAL DIRECTION OF INPUT SHAFT AT VIEW "A" SIDE : () AT GATE RISING
6. TRANSMITTING SIGNAL FOR REMOTE CONTROL
 - 1) TRANSMITTING SIGNAL : SYNCHRO SIGNAL
 - 2) TRANSMITTING METHOD : SYNCHRO
7. SWITCH FOR ALARM AND CONTROL
 - 1) NUMBER OF SWITCHING FORM : 2-SPDT
 - 2) SWITCH TYPE : MICRO SWITCH
 - 3) CONTACT RATING : AC 250V 15A
 - 4) SWITCHING POINT :
8. POWER SOURCE : AC 100/110V 50/60Hz AC 200/220V 50/60Hz

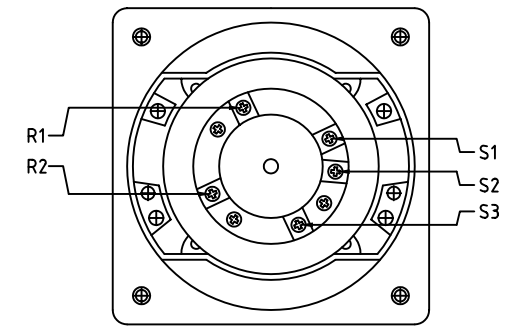
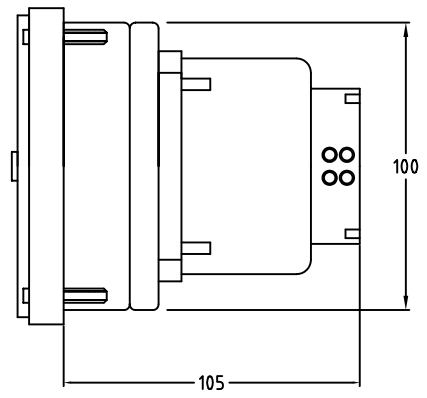
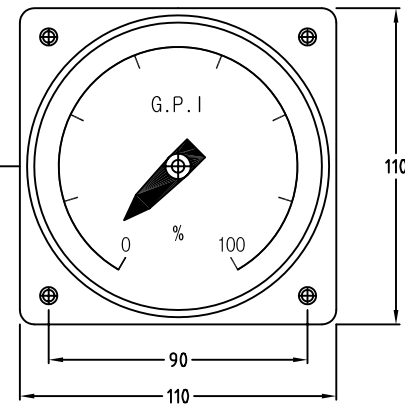
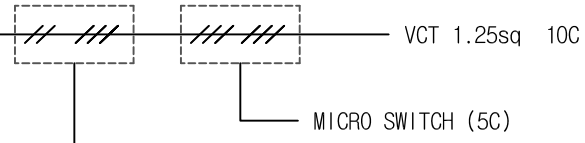
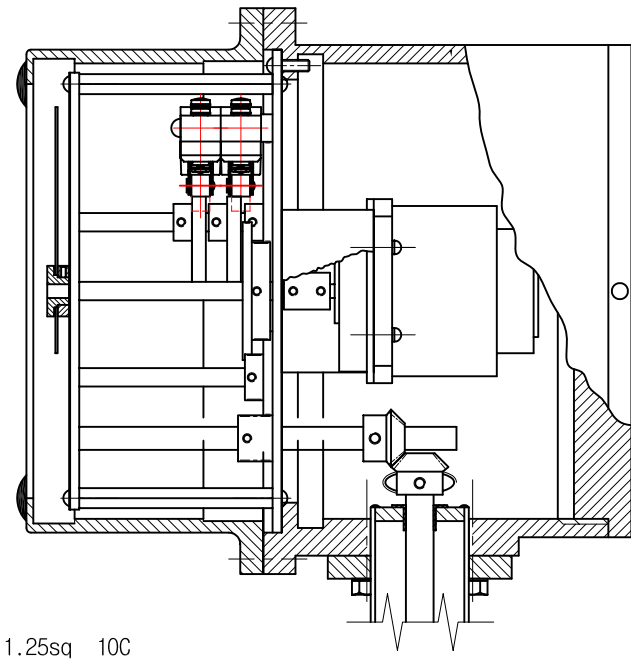
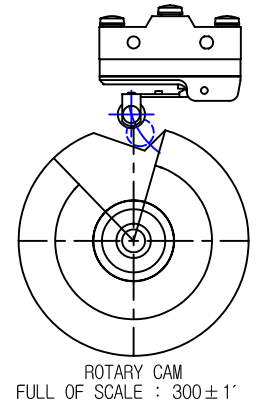
No.	DESCRIPTION	MATERIAL	REMARK
1	BASE	AL 2B	
2	HEAD	AL 2B	
3	POINTER	SS 400 + PAINTTED	
4	SCALE PLATE	SUS 304	
5	INPUT SHAFT	SUS 304	φ16
6	POST PIPE	SUS 304	φ42.7
7	PACKING	RUBBER	



△				
△				
△				
△				
NO	DATE	REVISIONS	REV'D BY	CHE'D BY
WON-IL LEVEL CO., LTD.			SCALE N/S	UNIT mm
TITLE		GATE POSITION INDICATOR WTG-100S		PROJECT :
				DRAWING No.
DESIGNED	CHECKED	APPROVED	DATE	SHEET NO.
			2000. .	/



현장 지시계



눈금판 scale 및 range 주문사양	
RANGE	M . ' 1
POWER	AC 110/220V 60Hz
OUTPUT	SYNCHRO SIGNAL
CONNECTION DIAGRAM	
SYNCHRO	LIMIT SWITCH
	<p>A <input type="checkbox"/> ALARM ON</p> <p>B <input type="checkbox"/> ALARM OFF</p> <p>C < HIGH ></p> <hr/> <p>A <input type="checkbox"/> ALARM ON</p> <p>B <input type="checkbox"/> ALARM OFF</p> <p>C < LOW ></p>

NO	DATE	REVISION	REV'D BY	CHK'D BY	WON-IL LEVEL CO., LTD. TITLE GATE POSITION INDICATOR BLOCK DIAGRAM	SCALE	UNIT	REV.
△	..					N.S	mm	△
△	..					PROJECT		
△	..					DRAWING NO.		
△	..					DESIGNED BY	CHECKED BY	APPROVED BY
△	..							SHEET NO.